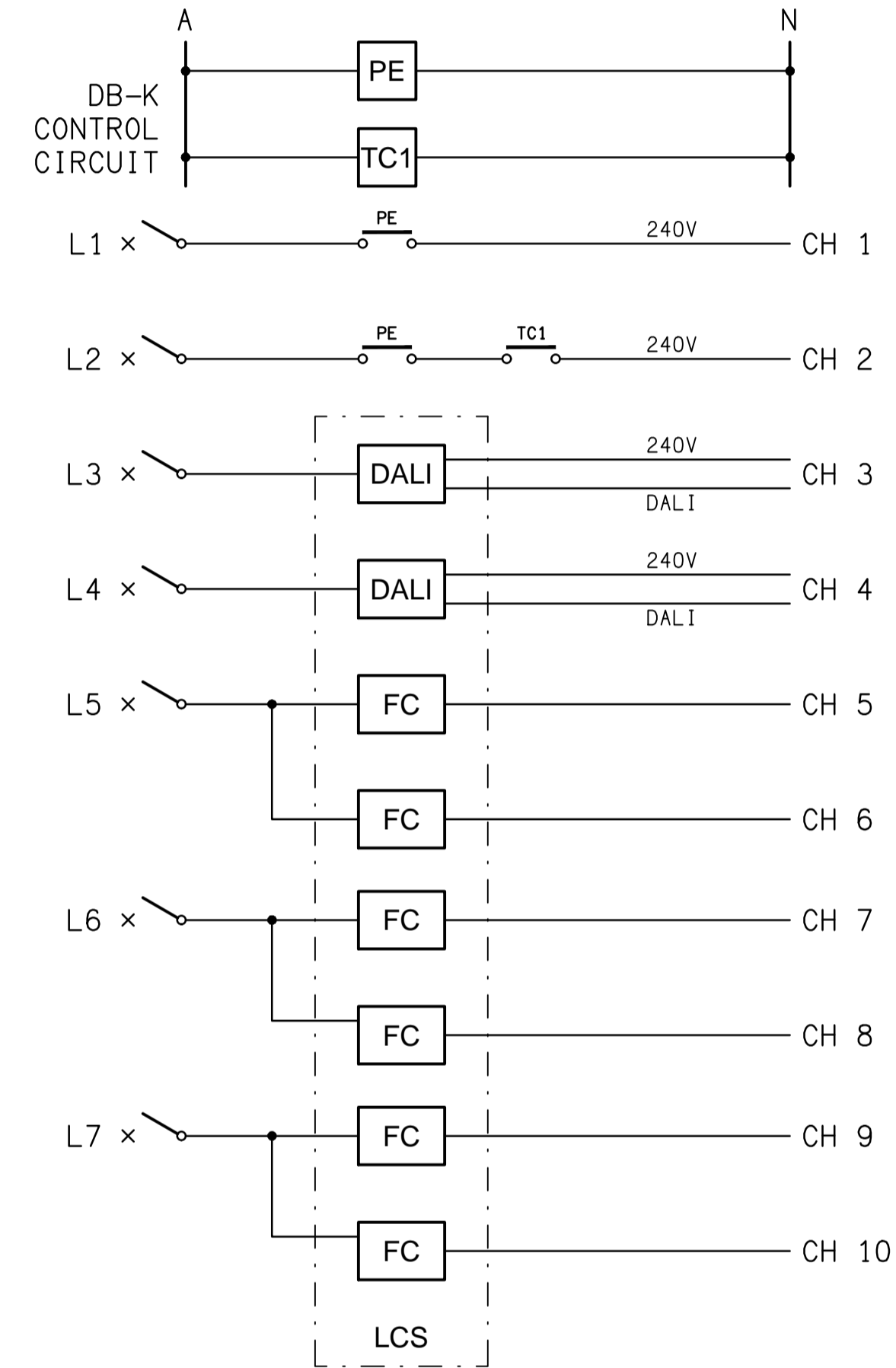


DETAIL
LIGHTING CONTROL STATION (LCS) ELEVATION
NOT TO SCALE



SCHEMATIC
LIGHTING CONTROL CONFIGURATION
NOT TO SCALE

ELECTRICAL DESIGN GROUP BRISBANE
PTY LTD
ACN 092 710 793
TRADING AS:
ELECTRICAL DESIGN GROUP

THE COPYRIGHT OF THIS DRAWING
REMAINS THE PROPERTY OF THE
ELECTRICAL DESIGN GROUP.
USE FIGURED DIMENSIONS
IN PREFERENCE TO SCALE.
ALL DIMENSIONS TO BE
VERIFIED ONSITE.

ELECTRICAL DESIGN GROUP
ELECTRICAL BUILDING SERVICES CONSULTANTS
BRISBANE GOLD COAST

P.O.Box 15, Sherwood Q.4075
Phone: (07) 3278 4375
Email: brisbane@edg.net.au
Web: www.edg.net.au

PROJECT:
**KINGS CHRISTIAN COLLEGE
CHAMBERS FLAT, FORECOURT CHA09**

38-112 ANZAC AVENUE, CHAMBERS FLAT

A	TENDER	07/12/2023
REV:	DESCRIPTION:	DATE:

DRAWING:
**ELECTRICAL SERVICES
LIGHTING CONTROL SCHEMATIC & DETAIL**

SCALE:
NOT TO SCALE AT A1

PROJECT NO:
C3164a

DRAWING NO:
E03

REVISION:
A